

Copenhagen Open 2022

MU10-24

Competitors A

Competitors: 6

#	Name	Grade	Club	1	2	3	Wins	Pts	Pos
1	Adrian LUTHER	?	Amager Judo Skole				0	0	3
2	Roman AIRICH	?	T.H.Eilbeck	10		10	2	20	1
3	Isac YOHANNES CARLSEN	?	Valby Judo Klub	10			1	10	2

Matches A

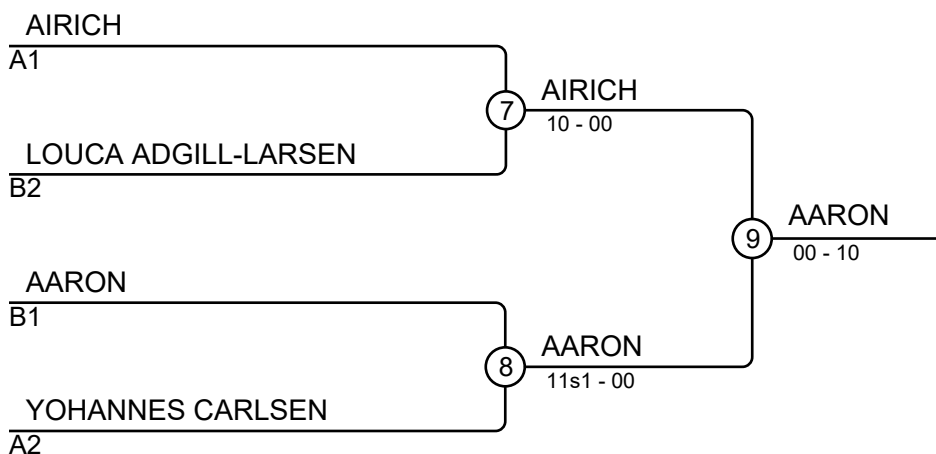
Match	White	Blue	Result	Time
1	Adrian LUTHER	1 2 Roman AIRICH	00-10	0:11
3	Adrian LUTHER	1 3 Isac YOHANNES CARLSEN	00-10	0:37
5	Roman AIRICH	2 3 Isac YOHANNES CARLSEN	11-00	0:23

Competitors B

#	Name	Grade	Club	4	5	6	Wins	Pts	Pos
4	Alexander OMØ	?	Hillerød Judo Klub				0	0	3
5	Marin AARON	?	Judoschule Kano Bremerhaven	10		10	1	10	1
6	Max LOUCA ADGILL-LARSEN	?	Amager Judo Skole				0	0	2

Matches B

Match	White	Blue	Result	Time
2	Alexander OMØ	4 5 Marin AARON	00-10	0:00
4	Alexander OMØ	4 6 Max LOUCA ADGILL-LARSEN		
6	Marin AARON	5 6 Max LOUCA ADGILL-LARSEN	10-00	0:16



Results

Pos	Name
1	Marin AARON, Judoschule Kano Bremerhaven
2	Roman AIRICH, T.H.Eilbeck
3	Max LOUCA ADGILL-LARSEN, Amager Judo Skole
3	Isac YOHANNES CARLSEN, Valby Judo Klub