

Copenhagen Open 2022

WU15-44

Competitors A

Competitors: 8

#	Name	Grade	Club	1	2	3	4	Wins	Pts	Pos
1	Hannah DUVE	?	VFB Germania Halberstadt	10	10	10		2	20	1
2	Ellen ODDERSHEDE	?	Amager Judo Skole					0	0	4
3	Jazmane BUREMA	?	Team 53 ° Noord				10	1	10	2
4	Noura HAMAD	?	Stichting Judosport Oost		10			0	0	3

Matches A

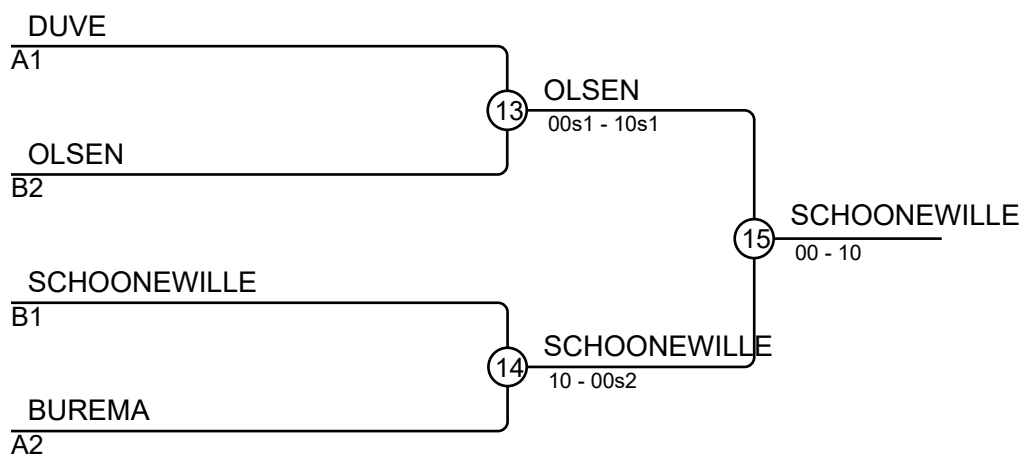
Match	White	Blue	Result	Time
1	Hannah DUVE 1	Ellen ODDERSHEDE 2	10-00	1:07
3	Jazmane BUREMA 3	Noura HAMAD 4	10-00	0:13
5	Hannah DUVE 1	Jazmane BUREMA 3	10-00	0:09
7	Ellen ODDERSHEDE 2	Noura HAMAD 4	00-10	0:40
9	Hannah DUVE 1	Noura HAMAD 4	10-00s1	1:20
11	Ellen ODDERSHEDE 2	Jazmane BUREMA 3		

Competitors B

#	Name	Grade	Club	5	6	7	8	Wins	Pts	Pos
5	Iben OLSEN	?	Sportinstituut Schiedam		10	10		2	20	2
6	Sophie DAMM	?	TSV Kronshagen					0	0	4
7	Bianca NORDLUND	?	Frövi Judo		10			1	10	3
8	Sterre SCHOONEWILLE	?	Team 53 ° Noord	10	10	10		3	30	1

Matches B

Match	White	Blue	Result	Time
2	Iben OLSEN 5	Sophie DAMM 6	10-00s1	2:41
4	Bianca NORDLUND 7	Sterre SCHOONEWILLE 8	00-10	0:41
6	Iben OLSEN 5	Bianca NORDLUND 7	10-00s2	2:49
8	Sophie DAMM 6	Sterre SCHOONEWILLE 8	00s1-10	0:22
10	Iben OLSEN 5	Sterre SCHOONEWILLE 8	00-10	0:31
12	Sophie DAMM 6	Bianca NORDLUND 7	00s2-10	2:19



Results

Pos	Name
1	Sterre SCHOONEWILLE, Team 53 ° Noord
2	Iben OLSEN, Sportinstituut Schiedam
3	Hannah DUVE, VFB Germania Halberstadt
3	Jazmane BUREMA, Team 53 ° Noord